

# RS Desktop

Professional USB desktop controllers •  
non-contacting Hall effect technology



## DISTINCTIVE FEATURES

Three axis for PTZ control

12 bit resolution

Ambidextrous design for right or left handed use

6 tactile pushbuttons switches

USB 2.0 HID compliant "game controller"



## ENVIRONMENTAL SPECIFICATIONS

- Operating Temperature: -25 °C to +70 ° (-13 °F to +158 °F)
- Storage Temperature: -25 °C to +70°C (-13 °F to +158 °F)
- Sealing: None
- EMC Immunity Level: CE compliant, EMC directive 2004/108/EC, FCC Part 15 Subpart B, Class B
- EMC Immunity Level: CE compliant, EMC directive 2004/108/EC, FCC Part 15 Subpart B, Class B



## MECHANICAL SPECIFICATIONS

- Operating Force: 2.8 N (0.63 lbf)
- Maximum Vertical Load: 200 N (45 lbf)
- Maximum Horizontal Load: 200 N (45 lbf)
- Mechanical Angle of Movement:  $\pm 18^\circ$  X & Y axis,  $\pm 40^\circ$  Z axis
- Expected Mechanical Life: 3 million lifecycles
- Mass/weight: 943 g (33.3 oz)
- Lever Action (centering): Spring



## MATERIALS

- Body: ABS
- Shaft: Stainless steel
- Boot: Silicone
- Handle: Glass filled nylon

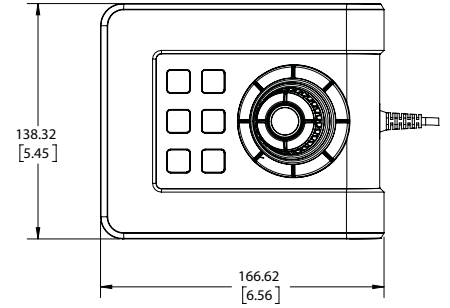
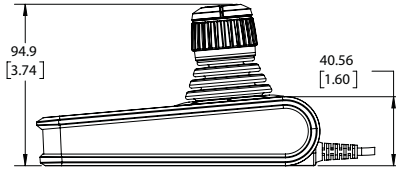
The company reserves the right to change specifications without notice.



# RS Desktop

Professional USB desktop controllers •  
non-contacting Hall effect technology

## DIMENSIONS



### NOTES:

Dimensions are in mm/(inch).

To order RS desktop, please refer to part #100-350