

LPI series

Tactile pushbutton switches
with large actuator



DISTINCTIVE FEATURES

- Large ergonomic actuator Ø 35 (1.378)
- Tactile feedback
- Low behind-panel depth 21 (.827) max.
- Wide choice of markings
- Ring or dot illumination



ENVIRONMENTAL SPECIFICATIONS

- Environmental protection :
IP53 for sealed version - IP40 for unsealed version
- Impact resistance : IK06 for NO/NC version - IK04 for NO version
- Operating temperature : - 20 °C to +65 °C (-4 °F to +149 °F)
- Storage temperature : - 40°C to +70°C (-40 °F to +158 °F)



ELECTRICAL SPECIFICATIONS

- Snap-action, momentary function
- Mechanical life : 1,000,000 cycles min. for 5 A NO/NC
5,000,000 cycles min. for 50 mA NO
- Max. current/voltage rating with resistive load :

5 A NO/NC version	50 mA NO version
5 A 12 VDC - 50,000 cycles 100 mA 12 VDC - 1,000,000 cycles	50 mA 24 VDC - 5,000,000 cycles

- Min. current with resistive load : 0.5 mA at 24 VDC for NO version
- Contact resistance : 100 mΩ max.
- Dielectric strength : 500 Vrms 50 Hz between terminals
1,000 Vrms 50 Hz between terminals and ground
- Insulation resistance : 10 MΩ at 500 VDC
- Integrated resistors for illuminated versions
- LED current : 20 mA typical for dot or ring (30 mA max.)
- LED protected from reverse polarity
- Stand-by consumption : 0.5 VA max.

The company reserves the right to change specifications without notice.



LPI series

Tactile pushbutton switches with large actuator



GENERAL SPECIFICATIONS

- Operating force : 2.5 to 5 N (unsealed)
- Total travel : 2 mm ± 0.3 mm
- Panel thickness : 1 to 4 mm (.039 to .157)



MATERIALS

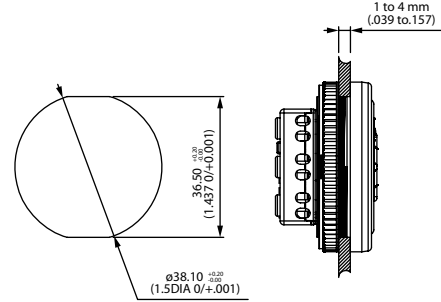
- Switch block : thermoplastic for 5 A NO/NC
- Contacts :
 - 5 A NO/NC : silver, gold plated
 - 50 mA NO : silver
- Actuator crimped symbol : 304L stainless steel

APEM products may be recycled at end-of-life for the re-claiming of valuable metal components.

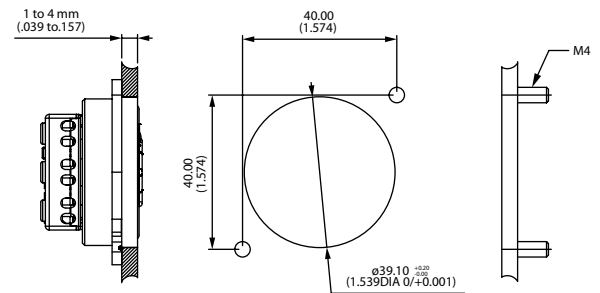


PANEL CUT-OUT

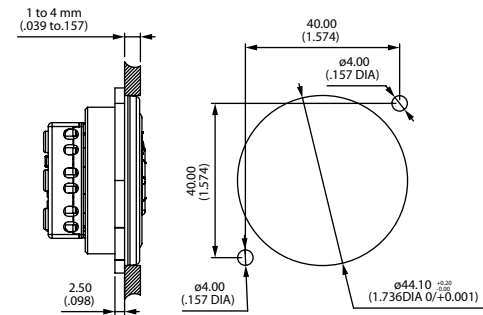
FRONT MOUNTING



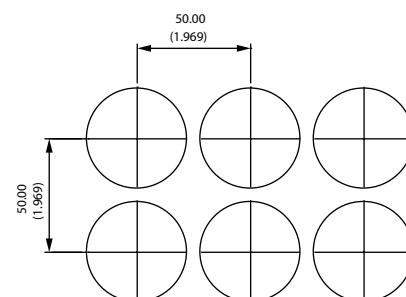
REAR MOUNTING - UNSEALED VERSION



REAR MOUNTING - SEALED VERSION

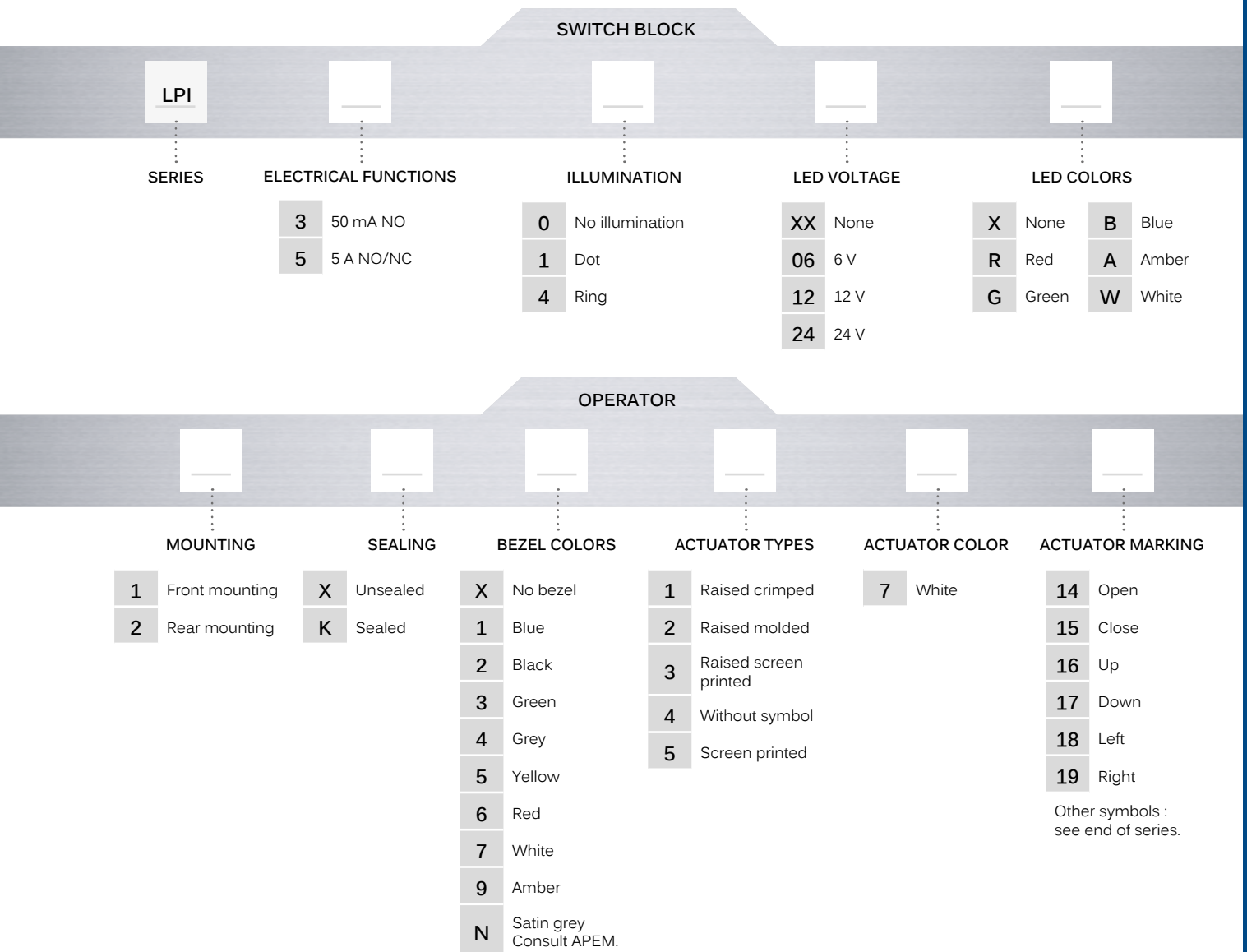


MATRIX MOUNTING





BUILD YOUR PART NUMBER



ABOUT THIS SERIES

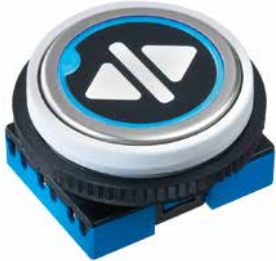
On the following pages, you will find successively basic part numbers of switches and options in the same order as in above chart.

- ⚠ **Notice** : please note that not all combinations of above numbers are available. Refer to the following pages for further information.
- 🔒 **Sealing boot** available to increase the sealing of LPI switches. See "Sealing Boots" section of website.

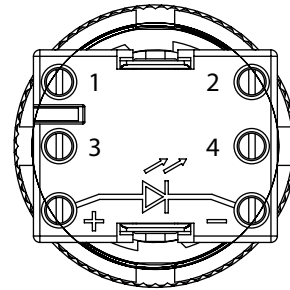
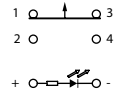
LPI series

Tactile pushbutton switches with large actuator

5 A MOMENTARY NC/NO COMBINED



LPI5

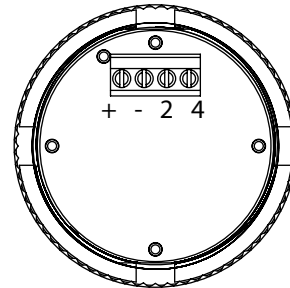
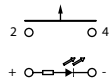


Terminal block
 Wire size : AWG20-15 - 0.5 to 1,5 mm²
 Rated torque : 0.5 Nm
 Screw size : M3

50 mA MOMENTARY NO



LPI3



Terminal block
 Wire size : AWG28-16 - 0.5 to 1 mm²
 Rated torque : 0.4 Nm
 Screw size : M2

SWITCH BLOCK

ILLUMINATION



- 0 Non-illuminated
- 1 Illuminated dot (1 LED)
- 4 Illuminated ring (4 LEDs)

Option 4 available only in the case of screen-printed symbol



LPI series

Tactile pushbutton switches with large actuator

SWITCH BLOCK

LED VOLTAGE



- XX Non-illuminated
- 06 6 V
- 12 12 V
- 24 24 V

- Integrated resistors
- LED current : 20 mA typical for dot or ring (30 mA max.)
- LEDs protected from reverse polarity
- Stand-by consumption for illuminated product : 0.5 VA max.

⚠ Combination with other options : see table below.

SWITCH BLOCK

LED COLORS



- X Non-illuminated
- R Red
- G Green
- A Amber
- B Blue
- W White

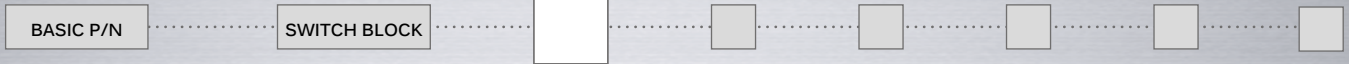
For illuminated ring, see table opposite.

COLORS AVAILABLE WITH ILLUMINATED RING (OPTION 4)

	Red	Green	Amber	Blue	White
LED voltage					
Version 5 A					
6 V	No	No	No	No	No
12 V	Yes	Yes	No	No	No
24 V	Yes	Yes	Yes	Yes	Yes
LED voltage					
Version 50 mA					
6 V	No	No	No	No	No
12 V	Yes	No	Yes	No	No
24 V	Yes	Yes	Yes	Yes	Yes

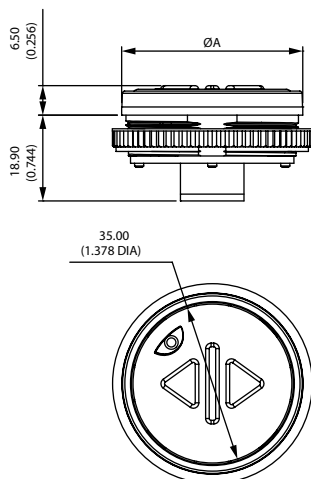
OPERATOR

MOUNTING

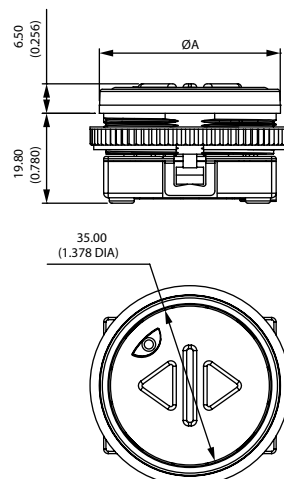


- 1 Front mounting
- 2 Rear mounting

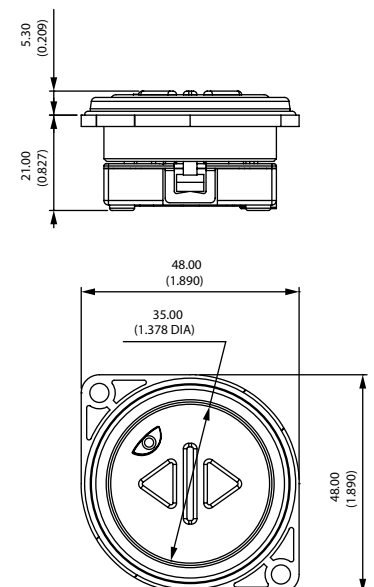
FRONT MOUNTING - 50 mA VERSION



FRONT MOUNTING - 5 A VERSION



REAR MOUNTING - ALL VERSIONS



Dimension A

Sealed models : 44 mm (1.732) / Unsealed models : 39.9 mm (1.570)

LPI series

Tactile pushbutton switches with large actuator

OPERATOR

SEALING



- X Unsealed
- K Sealed

Note : bezel compulsory on sealed versions.

OPERATOR

BEZEL COLORS



X	No bezel	5	Yellow
1	Blue	6	Red
2	Black	7/1	White
3	Green	9	Orange
4	Grey		

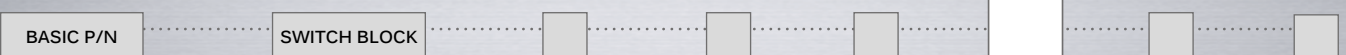


Satin grey (option N) : consult APEM.

For sealed versions, the bezel is compulsory.

OPERATOR

ACTUATOR TYPES



- 1 Stainless steel raised crimped symbol
- 2 Raised molded symbol (star and bell)
- 3 Raised screen printed symbol
- 4 Without symbol
- 5 Screen printed symbol

Ring illumination available with options 3, 4 and 5 only.

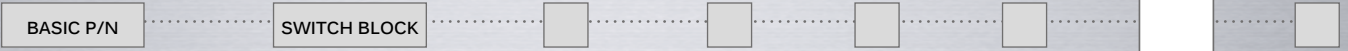


LPI series

Tactile pushbutton switches with large actuator

OPERATOR

ACTUATOR COLOR



7 White



OPERATOR

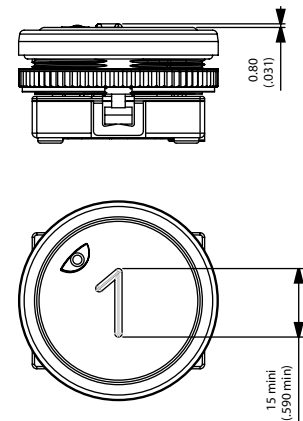
ACTUATOR MARKING



CODE	SYMBOL	DESCRIPTION
XX	/	No symbol
00	0	
01	1	
02	2	
03	3	
04	4	
05	5	With single tactile point
06	6	
07	7	
08	8	
09	9	
11	-1	
12	-2	
13	-3	

CODE	SYMBOL	DESCRIPTION
14	◀▶	Open
15	◀▶	Close
16	▲	Up
17	▼	Down
18	◀	Left
19	▶	Right
20	☪	Ventilation
21	🔔	Alarm (molded, yellow)
22	★	Exit level (molded, green)
23	☎	Phone

ACTUATOR TYPE 1



SYMBOL HEIGHT

	Symbol 21	Symbol 22	Other symbol
Actuator type 1	X	X	0.8 mm
Actuator type 2	0.8 mm	5 mm	X
Actuator type 3	X	X	0.8 mm
Actuator type 4	X	X	X
Actuator type 5	X	X	0 mm

x = non available