

HR series

Infinite wheel Encoder • non contacting
Hall effect technology • 24 positions



DISTINCTIVE FEATURES

- Infinite wheel Encoder
- Above 1 Million cycles
- Backlighting option
- Electronics sealed to IP68
- 360° roller



ENVIRONMENTAL SPECIFICATIONS

- Operating Temperature: -30 °C to +70 °C (-22 °F to +158 °F)
- Storage Temperature: -40 °C to +85 °C (-40 °F to +185 °F°)
- Electronics sealed to IP68 according IEC 60529
- Shock resistance: 50 g during 11 ms
- Salt spray: IEC 60068-2-11 test Ka



ELECTRICAL SPECIFICATIONS

- Supply Voltage Range: 5 VDC \pm 0.50 VDC
- Resolution: 128 pulses per revolution – could be modified with programming Manchester code on Man_Out Wire
- Reverse Polarity Max: -40 VDC max
- Overvoltage Max: 40 V
- Consumption: 17mA \pm 3,4mA
- LED supply: 6 VDC 10 mA



GENERAL SPECIFICATIONS

- APEM SAS patented design
- Operating Force between position: 2.5 N \pm 0.5N (with 24 positions)
- Expected Life: 1 000 000 lifecycles
- Mass/Weight: 11 g \pm 2 g (0.4 oz \pm 0.07 oz)

The company reserves the right to change specifications without notice.



HR series

Infinite wheel Encoder • non contacting
Hall effect technology • 24 positions

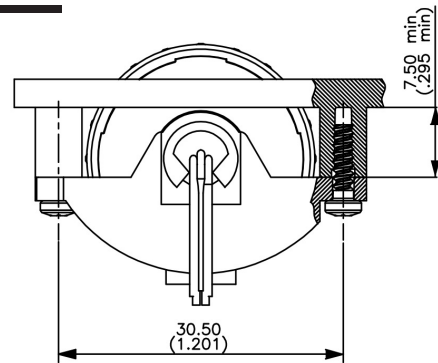


MATERIALS

- Body: Polyamide
- Wheel: Polyamide
- Electronics sealing: epoxy
- Connector: polyester (Molex 510210700)
- Multiwire lead AWG28, length 140 mm



MOUNTING



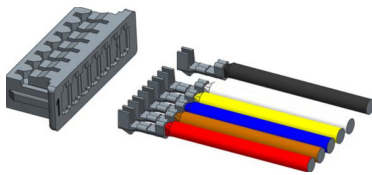
CONNECTIONS

WITHOUT BACKLIGHTING

PIN	FUNCTION	COLOR
1	Power supply: +VDC 5 V	Red
2	Man-Out	Brown
3	Out_B	Blue
4	Out_A	Yellow
5	Out_Z	White
6		
7	Ground 0V	Black

WITH BACKLIGHTING

PIN	FUNCTION	COLOR
1	Power supply: +VDC 5 V	Red
2	Man_Out	Brown
3	Out_B	Blue
4	Out_A	Yellow
5	Out_Z	White
6	LED-	Green
7	Ground 0V	Black

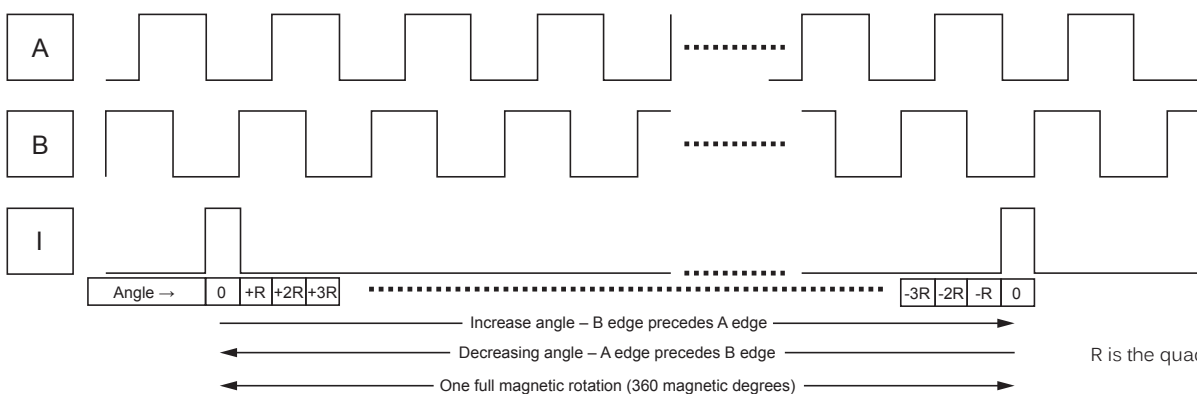


Wiring harness with multiwire leads
AWG28 - Length 140mm (5.51in)



OUTPUT

ONE FULL MAGNETIC REVOLUTION

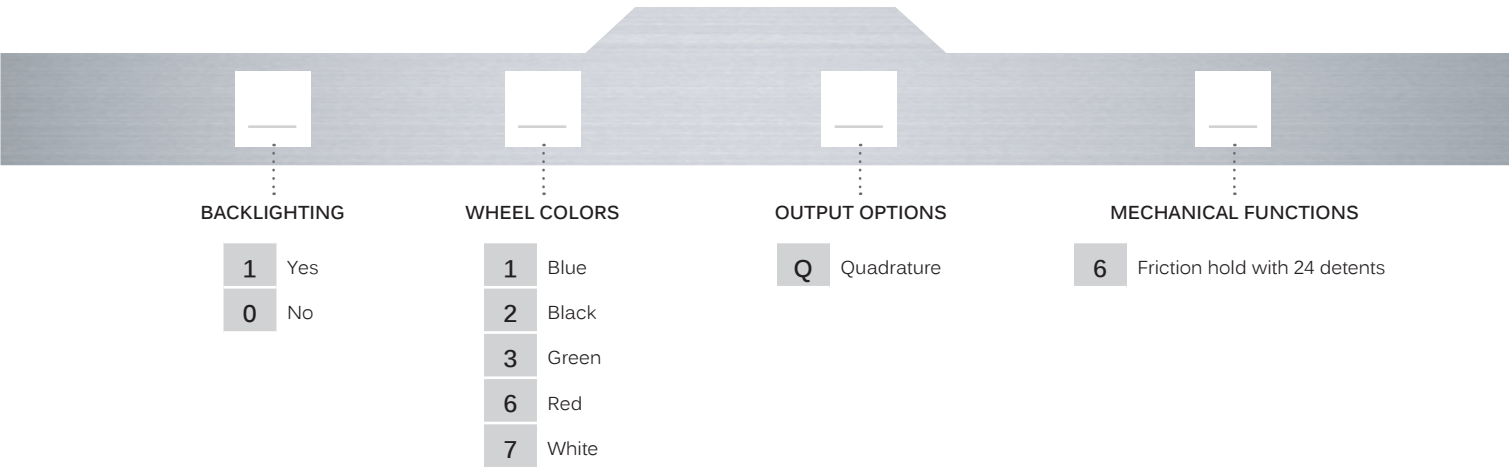
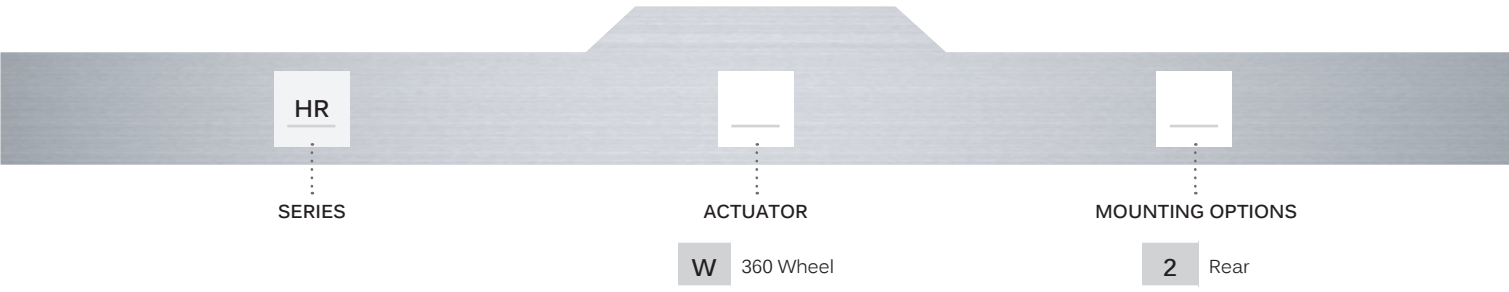


HR series

Infinite wheel Encoder • non contacting
Hall effect technology • 24 positions



BUILD YOUR PART NUMBER



HR series

Infinite wheel Encoder • non contacting
Hall effect technology • 24 positions

INFINITE WHEEL

