

# EC Compact series

Ultra compact emergency switches •  
panel cut-out Ø 22 mm



## DISTINCTIVE FEATURES

Ultra compact emergency stop switches with Ø22 mm bushing

Low behind-the-panel depth

Front sealing : IP65

Approved according to EN 60947-5-1, EN 60947-5-5



## ELECTRICAL SPECIFICATIONS

- Electrical function : Two poles, normally closed contact (NC).
- Current/voltage rating (EN60947-5-1):  
Ui : 250 V, Uimp : 2.5 kV, direct opening action  
AC15 B300, 3 A/120 V; 1.5 A/240 V, Ith: 5 A  
DC13 R300, 220 mA/125 V; 110 mA/250 V, Ith: 1 A
- Electrical life : 6,050 lifecycles according EN60947-5-1
- Mechanical life : 50,000 lifecycles
- Dielectric strength : 2,500 Vrms 50 Hz min. between terminals



## ENVIRONMENTAL SPECIFICATIONS

- Front panel sealing : IP65
- Operating temperature : -35 °C to +70 °C (-31 °F to +158 °F)
- Storage temperature : -40 °C to +85 °C (-40 °F to +185 °F)
- Vibrations and shock : According to UL60947-5-5



## GENERAL SPECIFICATIONS

- Panel thickness : 1-4 mm (.039 - .157) max.
- Torque : 1.5 Nm max. applied to nut



## MATERIALS

- Case : PA66
  - Actuator : PA66
  - Bushing : PA66
  - Contacts and terminals : Brass silver plated + silver rivet
- APEM products may be recycled at end-of-life for the re-claiming of valuable metal components.

The company reserves the right to change specifications without notice.

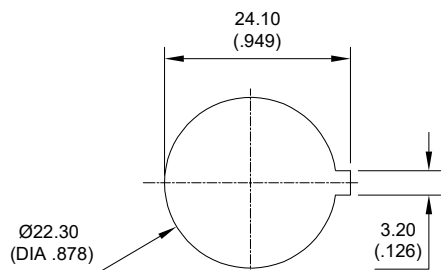


# EC Compact series

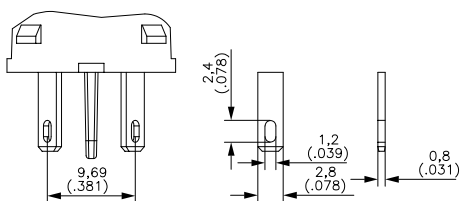
Ultra compact emergency switches • panel cut-out Ø 22 mm



## PANEL CUT-OUT



## TERMINALS



## ELECTRICAL FUNCTIONS



Double pole  
Normally closed

## AGENCY APPROVALS



UL 60 947-5-1  
IEC 60 947.5-5  
UL60 947.1



2014/35/EU

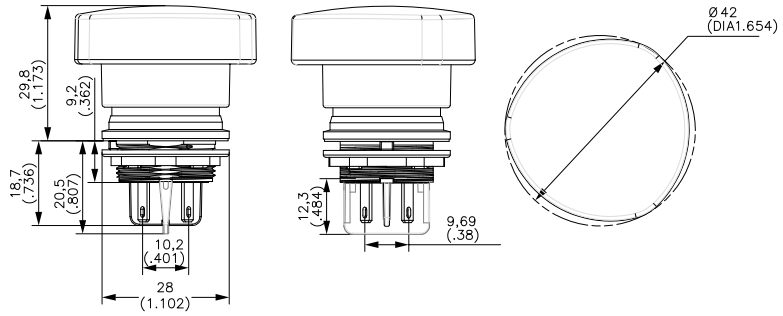
# EC Compact series

Ultra compact emergency switches • panel cut-out Ø 22 mm

DOUBLE POLE,  
TRIANGLE ACTUATOR WITH PULL TO RELEASE



EC-AMA-F-013-A



DOUBLE POLE,  
ROUND ACTUATOR WITH TURN TO RELEASE



EC-AMA-F-011-A

