

LP150 series

Low Profile Trackball



DISTINCTIVE FEATURES

- 1.50" diameter thermoset phenolic ball
- Panel mount design
- Available with blue backlit illumination
- USB 2.0 protocol
- Additional button strips available



ENVIRONMENTAL SPECIFICATIONS

- Operating Temperature: -15 °C to +70 °C (-5 °F to +158°F)
- Storage Temperature: -32 °C to +75 °C (-25.6 °F to +167 °F)



ELECTRICAL SPECIFICATIONS

- USB: Input: 4.75V - 5.25V @ 25mA max (+30mA for backlit illumination option)
- Output: USB 2.0



MECHANICAL SPECIFICATIONS

- Dimensions: 2.90" W x 3.50" D x 0.98" H
- Mechanical: 5,000,000 180° rotations with 6 ounces of vertical force
- Mounting position: 180 °horizontal to 90° vertical
- Mass/Weight: 133g (4.69oz)
- Ball diameter: 1.50" (38.10mm)
- Ball rotation: 360°
- Tracking force: 10g (0.35oz)°



MATERIALS

- Housing: Glass filled nylon
- Ball (black): Thermoset phenolic resin
(blue backlit): Translucent thermoset resin
- Shafts: Polished stainless steel
- Bearings: Encased stainless steel

The company reserves the right to change specifications without notice.



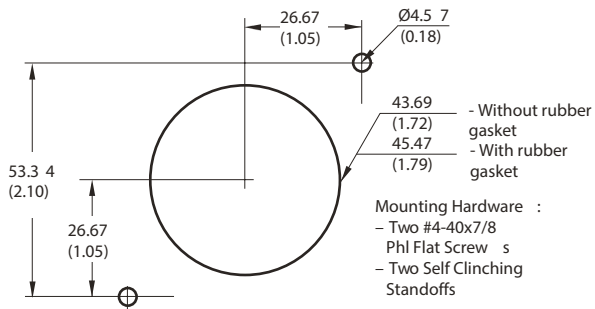
LP150 series

Low Profile Trackball



MOUNTING

- 180° horizontal to 90° vertical



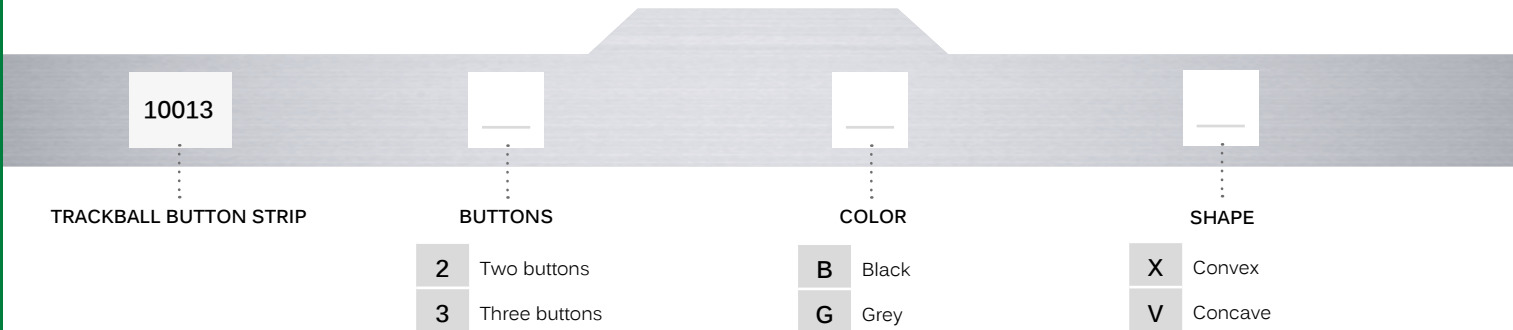
CONFIGURATION OPTIONS

- LED backlighting: Blue through a translucent thermoset resin ball
- Additional pushbutton switch: Two or three buttons
- Connector cables

LP150 series

Low Profile Trackball • Button strip

BUTTON STRIP CONFIGURATION

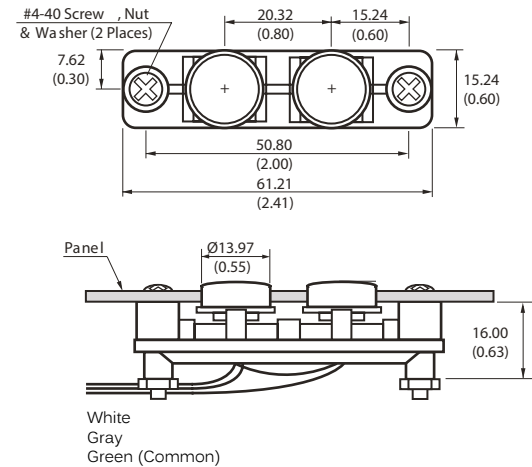


- Two or three buttons
- Tactile feedback
- Normally open momentary contact switch
- Black or grey buttons, choice of convex or concave

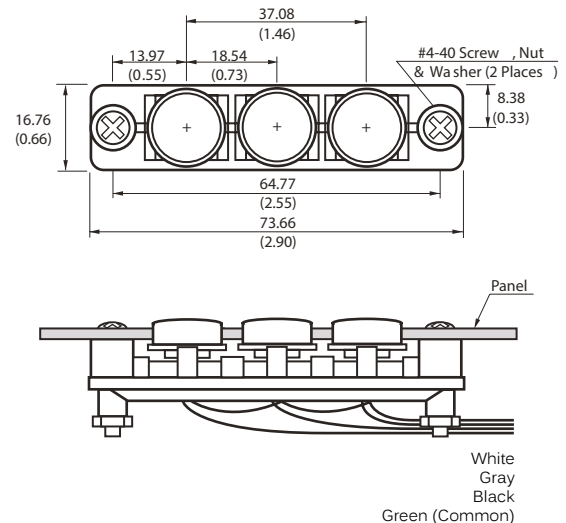
BUTTON STRIP - TWO BUTTONS



BUTTON SHAPE



BUTTON STRIP - THREE BUTTONS



All dimensions are in mm / (inch).