

V series

Stainless steel keypads for harsh environments



DISTINCTIVE FEATURES

- Round or square keys
- Rear mounting
- 316L stainless steel : frame and keytops
- Panel sealed to IP65
- Custom markings on request



ENVIRONMENTAL SPECIFICATIONS

- Front sealing : IP65 according to NFC 21-010, IEC 60529 and DIN 40050
- Operating temperature : -20 °C to +70 °C (-4 °F to +158 °F)
- Storage temperature : -40 °C to +85 °C (-40 °F to +185 °F)
- Impact resistance : IK09 according to EN 50102
- Flame resistance : UL94 HB horizontal position (30 seconds max).
- Salt spray : 96 hours according to IEC 512-6, test 11f
- Washable : most commonly used detergents and solvents



ELECTRICAL SPECIFICATIONS

- Output type : matrix (NO contacts)
- Max. current/voltage rating with resistive load : 50 mA at 12 VDC
- Initial contact resistance ON : 10Ω max.
- Insulation resistance : 1GΩ min. at 500 VDC
- LED backlight : 12 VDC (standard)



GENERAL SPECIFICATIONS

- Contact force : 4 N ± 0.5 N (non-illuminated version)
3.5 N (illuminated version)
- Stroke : 0.5 mm (.019)
- Low level or mechanical life : 1 million cycles
- Panel thickness : 2.5 mm (.098) (standard version)
- Connection : male connector

The company reserves the right to change specifications without notice.



V series

Stainless steel keypads for harsh environments



MATERIALS

- Keytop : 316L stainless steel
- Keys : ABS or PA6 nylon (illuminated versions)
- Key holder : ABS or PA6
- Frame : 316L stainless steel
- PCB : FR4
- Seal : 0.4 mm thick silicone
- Actuator : stainless steel snap domes AISI 304
- Contacts : gold plated

APEM products may be recycled at end-of-life for the re-claiming of valuable metal components.



BUILD YOUR PART NUMBER

BASIC PART NUMBER



MODELS

VR0	Ø 17 (.669) round keys
V00	Ø 20 (.787) round keys
VH0	Ø 20 (.787) round keys with plastic bezel
VQR	17 x 17 (.669x.669) square keys
VQ0	22 x 22 (.866x.866) square keys

VH0 not available with 12 or 16 keys
VQR non-illuminated only



NO OF KEYS

01	1 key
04	4 keys
12	12 keys
16	16 keys



FRAME

0	No frame
1	With frame (4/12/16 keys models)



ILLUMINATION

0	Non-illuminated
L	Illuminated (not for VQR)

OPTIONS



LED COLORS

XX	No LED
0R	Red
0B	Blue
0G	Green
0Y	Yellow
0W	White
XR	Green/blue/ yellow/red
RB	Red/blue
RG	Red/green



VOLTAGE

XX	Without
05	5 VDC
12	12 VDC
24	24 VDC



MARKING

0	Blank keys
S	Standard marking
C	Custom marking



ABOUT THIS SERIES

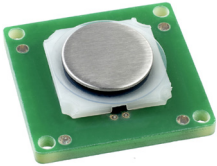
Some configurations are shown on the following pages. Other drawings are available on request.

Notice : please note that not all combinations of above numbers are available. Refer to the following pages for further information.

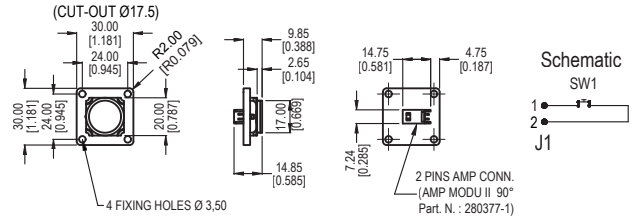
V series

Stainless steel keypads for harsh environments

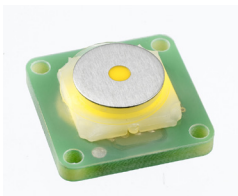
Ø 17 MM (.669) ROUND KEY
SINGLE KEY MODEL - NON-ILLUMINATED



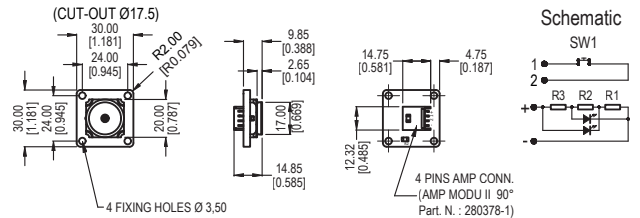
VR00100



Ø 17 MM (.669) ROUND KEY
SINGLE KEY MODEL - ILLUMINATED



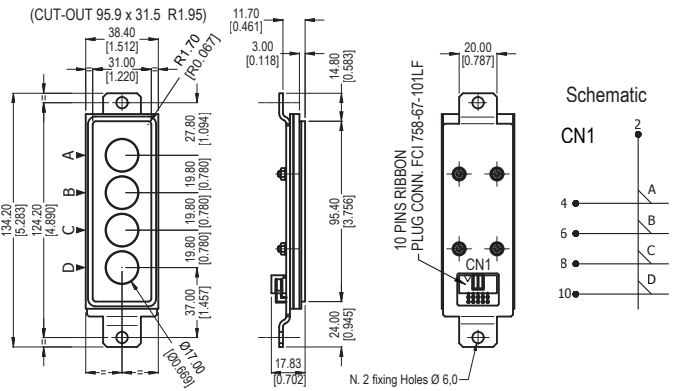
VR0010L



Ø 17 MM (.669) ROUND KEYS
4-KEY MODEL - NON-ILLUMINATED



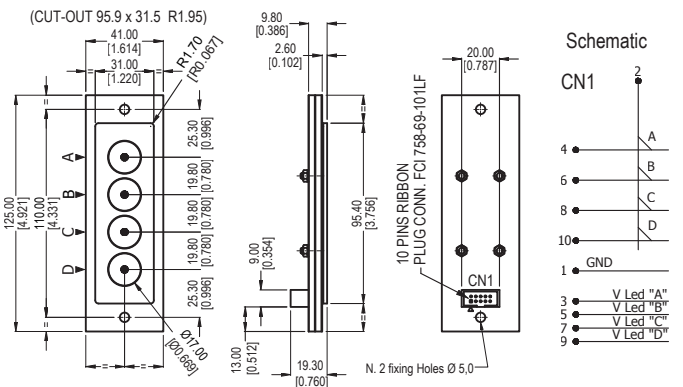
VR00410



Ø 17 MM (.669) ROUND KEYS
4-KEY MODEL - ILLUMINATED



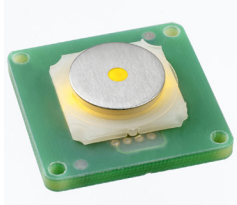
VR0041L



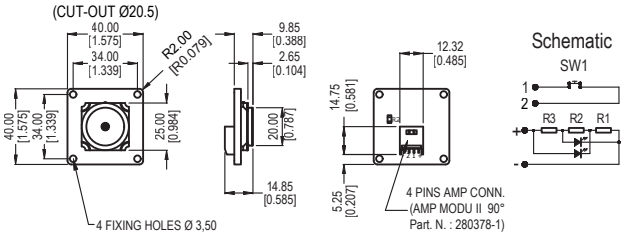
V series

Stainless steel keypads for harsh environments

Ø 20 MM (.787) ROUND KEY
SINGLE KEY MODEL - ILLUMINATED



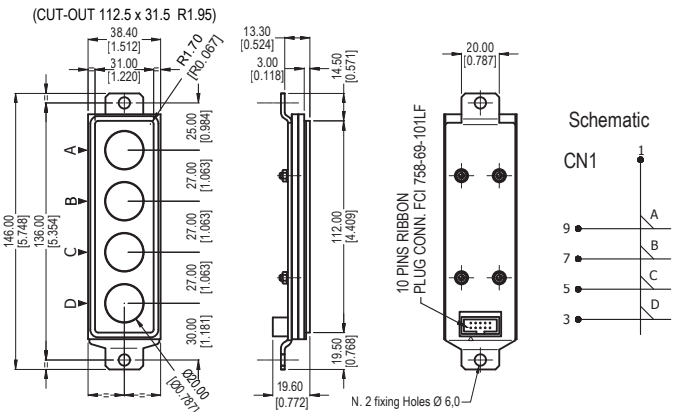
V00010L



Ø 20 MM (.787) ROUND KEYS
4-KEY MODEL - NON-ILLUMINATED



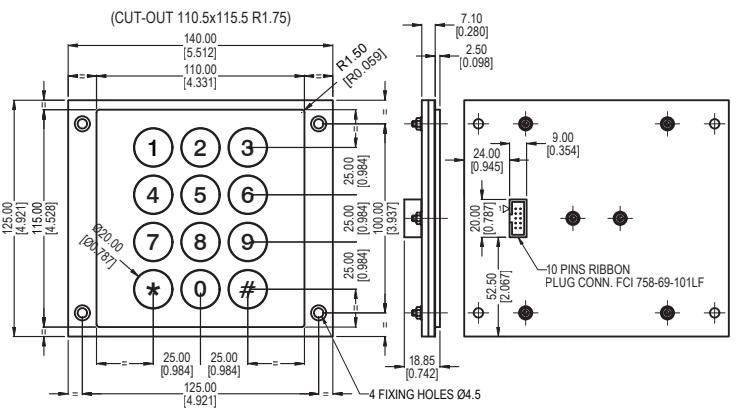
V000410



Ø 20 MM (.787) ROUND KEYS
12-KEY MODEL - NON-ILLUMINATED



V001210



Ø 20 MM (.787) ROUND KEYS
16-KEY MODEL - ILLUMINATED



V001610

