

D162 series

SMT tact switches



DISTINCTIVE FEATURES

Excellent coplanarity

Right angle for pick and place

Case 6 x 6 (.236 x .236)



ELECTRICAL SPECIFICATIONS

- Normally open (NO)
- Current/voltage rating : 50 mA 12 VDC max.
- Contact resistance : 100 mΩ max.
- Insulation resistance (at 100 VDC) : 1,000 MΩ min.
- Dielectric strength : 250 Vrms
- Electrical life : 40,000 cycles



GENERAL SPECIFICATIONS

- Operating force : 1.6 N ± 0.3 N
- Travel : 0.2 mm ± 0.1 mm (.007 ± .003)
- Shocks : 50 g according to IEC 512-4
- Moisture : 21 days according to IEC 512-6
- Temperature range : -40 °C to +90 °C (-40 °F to +194 °F)
- Tape and reel packaging
- SMT soldering



MATERIALS

- Case : high temperature 4/6 nylon
- Actuator : high temperature 4/6 nylon
- Cover : steel, tin plated
- Contacts : stainless steel or copper alloy, min. 0.2 micron gold plated over nickel barrier
- Terminals : copper alloy, min. 0.2 micron gold plated over nickel barrier

APEM products may be recycled at end-of-life for the re-claiming of valuable metal.

The company reserves the right to change specifications without notice.

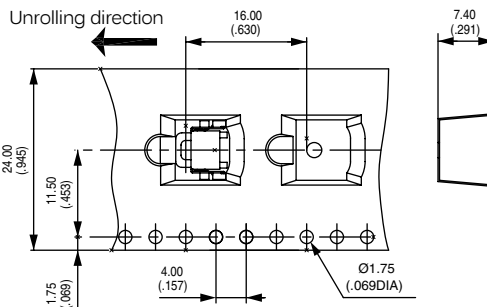
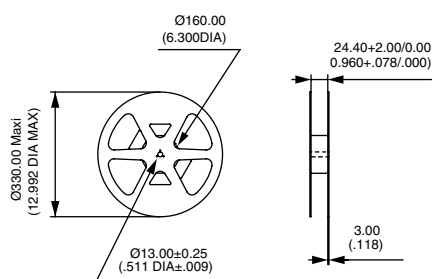


D162 series

SMT tact switches



PACKAGING



Quantity per reel : 600 pieces

RIGHT ANGLE MOUNTING



D162-04

