

PQ series

Stainless steel keypads with square keys



DISTINCTIVE FEATURES

Flush keys

Rear mounting

12.5 or 15 mm square keys

Panel sealed to IP65

Custom markings on request



ENVIRONMENTAL SPECIFICATIONS

- Front sealing : IP65 according to DIN 40050-9
- Operating temperature : -20 °C to +70 °C (-4 °F to +158 °F)
- Storage temperature : -40 °C to +85 °C (-40 °F to +185 °F)
- Impact resistance : IK07 according to EN 50102
- Flame resistance : UL94 HB horizontal position (30 seconds max).
- Salt spray : 96 hours according to IEC 512-6, test 11f
- Washable : most commonly used detergents and solvents



ELECTRICAL SPECIFICATIONS

- Output type : matrix (NO contacts)
- Max. current/voltage rating with resistive load : 50 mA at 12 VDC
- Initial contact resistance ON : 10Ω max.
- Insulation resistance : 1GΩ min. at 500 VDC
- LED backlight : 12 VDC (standard version)



GENERAL SPECIFICATIONS

- Contact force : 4 N ± 0.5 N (non-illuminated version)
3.5 N ± 0.5 N (illuminated version)
- Stroke : 0.5 mm (.019)
- Low level or mechanical life : 1 million cycles
- Panel thickness : 2 mm (.078) (standard version)
- Connection : male connector

The company reserves the right to change specifications without notice.



PQ series

Stainless steel keypads with square keys



MATERIALS

- Keytops : 316L stainless steel
- Key : ABS or PA6 nylon (illuminated versions)
- Frame : 304 stainless steel
- PCB : FR4
- Seal : 0.4 mm thick silicone
- Actuator : Stainless steel snap domes AISI 304
- Contacts : gold plated

APEM products may be recycled at end-of-life for the re-claiming of valuable metal components.



EXTRA FEATURES AVAILABLE ON REQUEST

- Front mounting



BUILD YOUR PART NUMBER



MODELS

- PQR** 12.5x12.5 (.492x.492) keys
- PQ0** 15x15 (.590x.590) keys



NO OF KEYS

- 04** 4 keys
- 12** 12 keys
- 16** 16 keys



FRAME

- 1** With frame, rear mounting



ILLUMINATION

- 0** Non-illuminated
- L** Illuminated



LED COLORS

- XX** No LED
- 0R** Red
- 0B** Blue
- 0G** Green
- 0Y** Yellow



VOLTAGE

- XX** Without
- 05** 5 VDC
- 12** 12 VDC
- 24** 24 VDC



MARKING

- 0** Blank keys
- S** Standard marking
- C** Custom marking



ABOUT THIS SERIES

Some configurations are shown on the following pages. Other drawings are available on request.

Notice : please note that not all combinations of above numbers are available. Refer to the following pages for further information.

PQ series

Stainless steel keypads with square keys

15 MM SQUARE KEYS - 4-KEY MODEL NON-ILLUMINATED



PQ004100

15 MM SQUARE KEYS - 12-KEY MODEL NON-ILLUMINATED



PQ01210S

15 MM SQUARE KEYS - 12-KEY MODEL ILLUMINATED



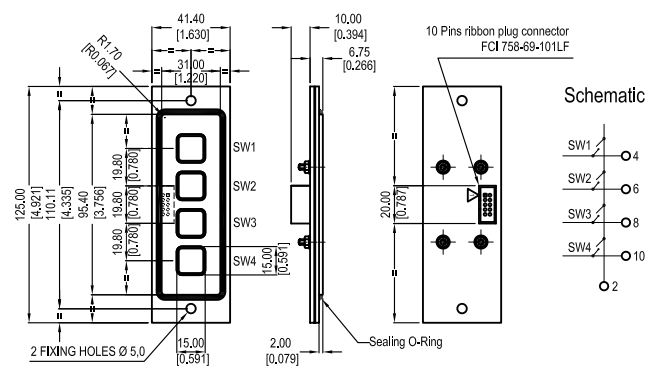
PQ0121L0B12S

15 MM SQUARE KEYS - 16-KEY MODEL NON-ILLUMINATED

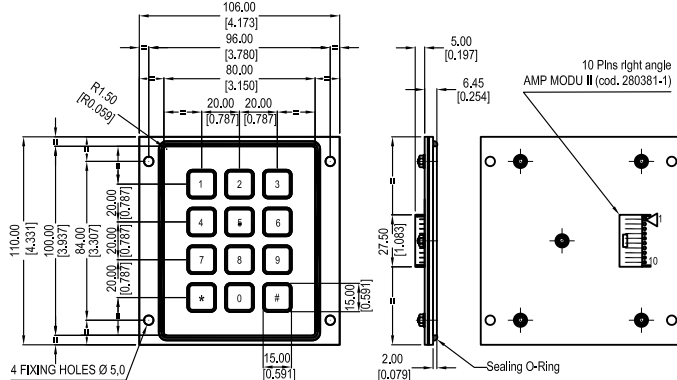


PQ01610S

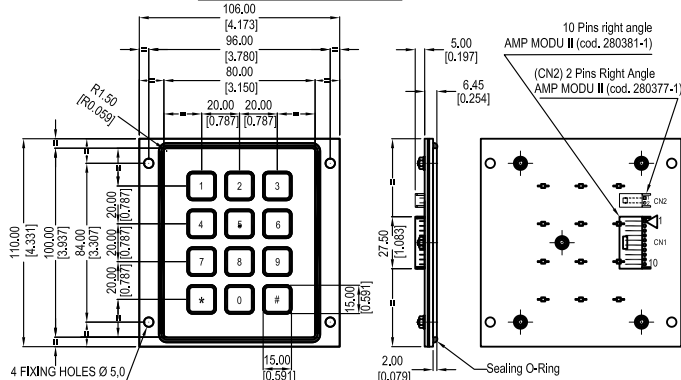
Customer panel CUT-OUT: (Panel thickness from 1.5 to 2,0 mm) 95,9 x 31,5 R=1.95



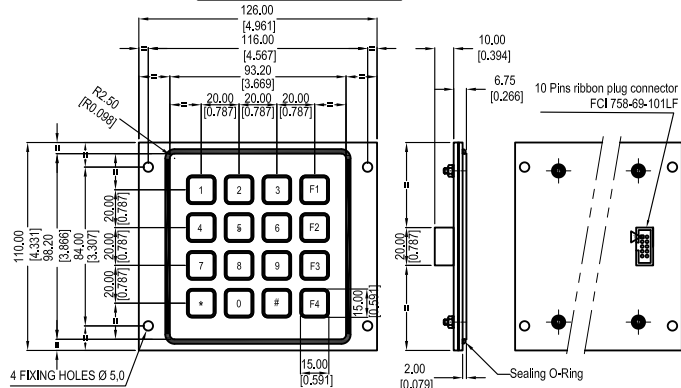
Customer panel CUT-OUT: (Panel thickness from 1,5 to 2,0 mm) 100,5 x 80,5 R=1.75



Customer panel CUT-OUT: (Panel thickness from 1,5 to 2,0 mm) 100,5 x 80,5 R=1.75



Customer panel CUT-OUT: (Panel thickness from 1,5 to 2,0 mm) 93,7 x 98,7 R=2.75

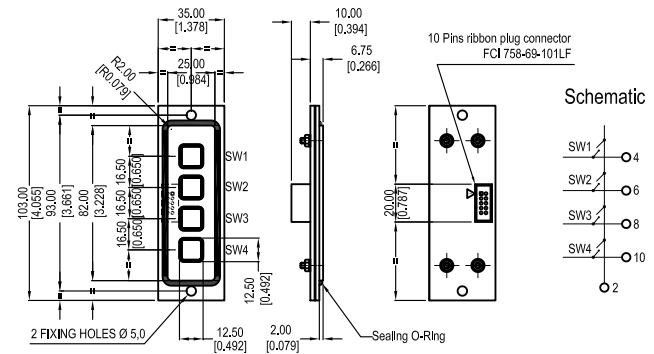


12.5 MM SQUARE KEYS - 4-KEY MODEL NON-ILLUMINATED



PQR04100

Customer panel CUT-OUT: (Panel thickness from 1,5 to 2,0 mm) 82,5 x 25,5 R=2,25

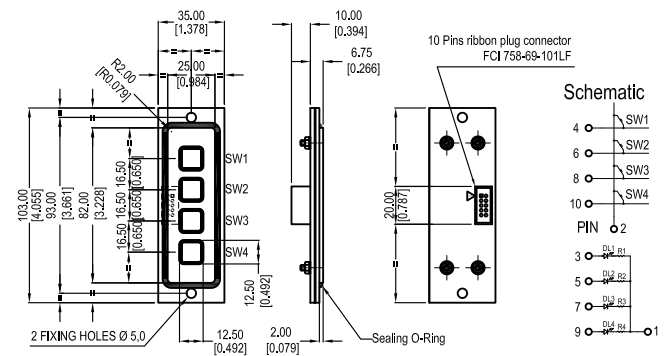


12.5 MM SQUARE KEYS - 4-KEY MODEL ILLUMINATED



PQR041L0Y120

Customer panel CUT-OUT: (Panel thickness from 1,5 to 2,0 mm) 82,5 x 25,5 R=2,25

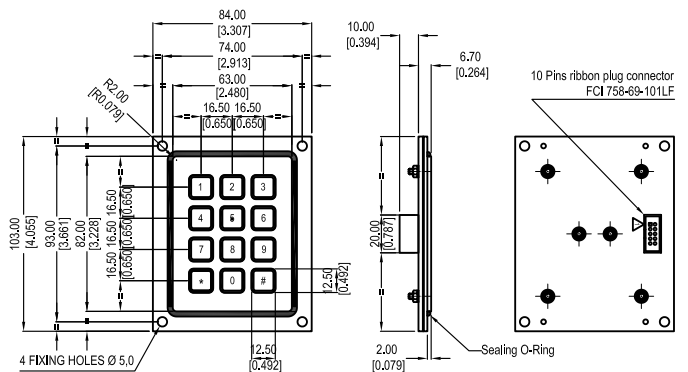


12.5 MM SQUARE KEYS - 12-KEY MODEL NON-ILLUMINATED



PQR1210S

Customer panel CUT-OUT: (Panel thickness from 1,5 to 2,0 mm) 82,5 x 63,5 R=2,25

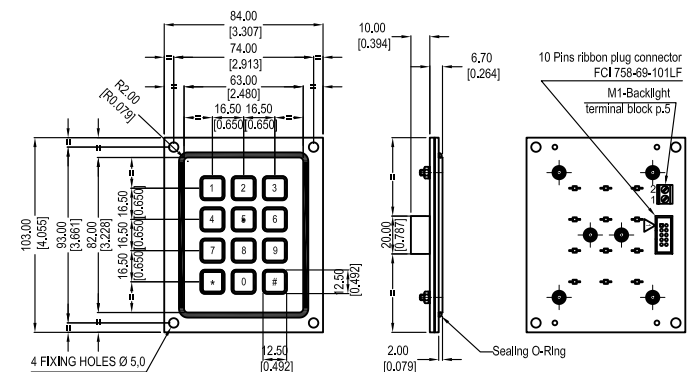


12.5 MM SQUARE KEYS - 12-KEY MODEL ILLUMINATED



PQR121L0Y12S

Customer panel CUT-OUT: (Panel thickness from 1,5 to 2,0 mm) 82,5 x 63,5 R=2,25



PQ series

Stainless steel keypads with square keys

12.5 MM SQUARE KEYS - 16-KEY MODEL NON-ILLUMINATED



PQR1610S

12.5 MM SQUARE KEYS - 16-KEY MODEL ILLUMINATED



PQR161L0Y12S

