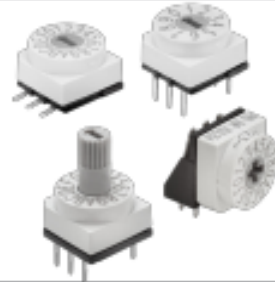


P65

Rotary Code Switch

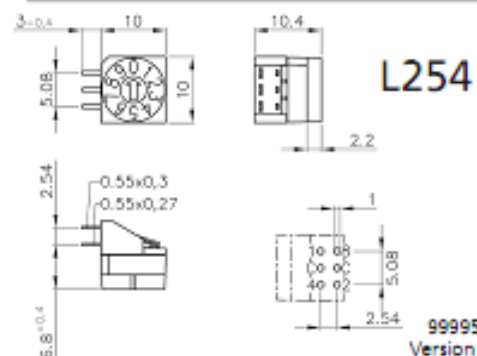
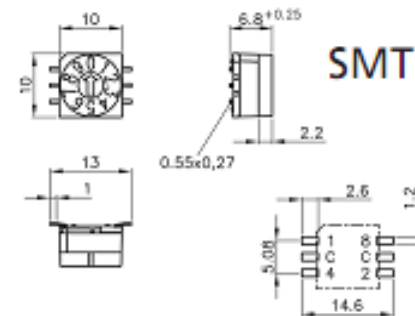
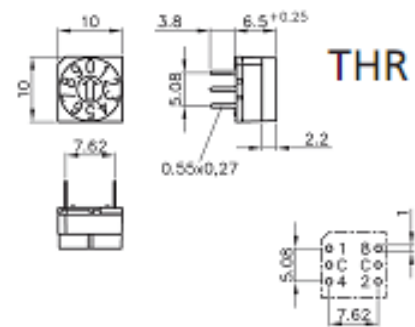
- ▷ 6.5mm height
- ▷ 10.0mm length
- ▷ Solid, tinned PCB pins
- ▷ THR, SMT-Pins and angled version
- ▷ Contacts with hard gold plating
- ▷ 100% electronic final inspection and testing



Technical Data

Pin connection	3+3, center C-contact
Perm. ambient temperature	-60...+125°C
Perm. storage temperature	-65...+135°C
Torque	1.3Ncm
Lifetime	30 000 steps
Positions per rotation	4, 6, 10, 16
Operating voltage	≤42V
Contact load, static	≤0.2A
Contact load, dynamic	≤0.1A
Minimum load	1µA 20mV DC
Test voltage	250V 50Hz/1min
Contact resistance	<80mΩ
Insulation resistance	>100MΩ
Reflow soldering max.	10s/260°C
Wave soldering	5s/280°C
Iron soldering	2s/340°C
THR through holes	plated through
PCB hole diameter	1.0mm
Outside diameter plated land	1.8mm

Dimensions



999950
Version 6