

# New! B SERIES SNAP-IN ROCKER SWITCHES

N

## FEATURES

- Cost effective illuminated or non-illuminated models.
- Single pole and double pole maintained action models.
- Actuator and case color selections.
- Standard actuator marking options.

## SPECIFICATIONS

|                                     |  |
|-------------------------------------|--|
| <b>Contact ratings:</b>             | 10A 250VAC (UL/CSA)<br>15A 125VAC (UL/CSA) |
| <b>Initial contact resistance:</b>  | 20 milliohms max.                          |
| <b>Insulation resistance:</b>       | 100 megohms min. at 500 V                  |
| <b>Dielectric strength:</b>         | 1000 VAC for 1 minute                      |
| <b>Electrical life:</b>             | 6000 cycles at full load                   |
| <b>Operating temperature range:</b> | -20°C to 85°C                              |

## MATERIALS

|                   |                                   |                                    |
|-------------------|-----------------------------------|------------------------------------|
| <b>Contacts:</b>  | Copper alloy                      | <b>Lamps:</b> Neon or fluorescent. |
| <b>Terminals:</b> | Silver or tin plated copper alloy |                                    |
| <b>Actuator:</b>  | Nylon (UL94V-2 min.)              |                                    |
| <b>Case:</b>      | Nylon (UL94V-2 min.)              |                                    |

## AGENCY RECOGNITION



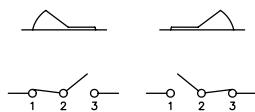
UL & CSA. Models are supplied with agency markings.

### Single pole - non-illuminated - quick connect terminals

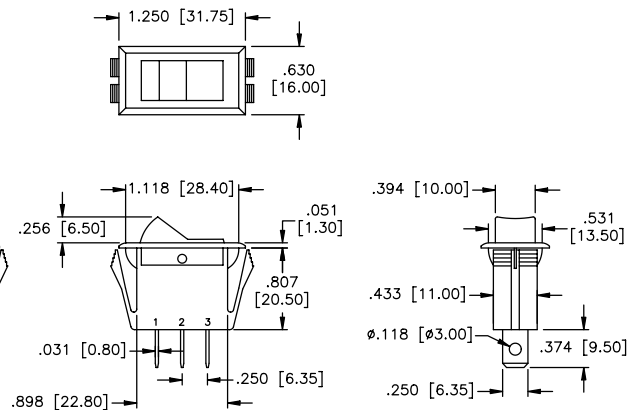
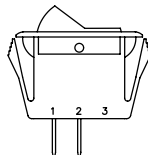


| MODEL NO.    | CIRCUIT     |
|--------------|-------------|
| B110R2NBB0NN | ON NONE ON  |
| B160R2NBB0NN | ON NONE OFF |

Above models have black actuator.



Max. panel thickness: .083 [2.10]

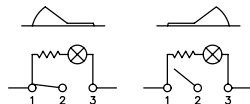


### Single pole - illuminated - quick connect terminals

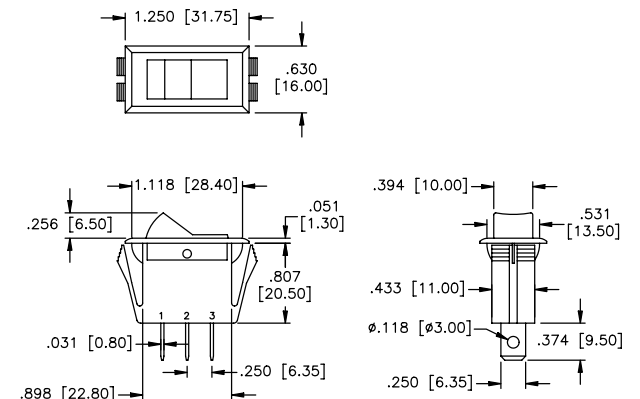


| MODEL NO.    | CIRCUIT     |
|--------------|-------------|
| B110R2LBB1NN | ON NONE ON  |
| B160R2LBB1NN | ON NONE OFF |

Above models have black actuator.



Max. panel thickness: .083 [2.10]



SPECIFICATIONS SUBJECT TO CHANGE WITHOUT NOTICE

# New! B SERIES SNAP-IN ROCKER SWITCHES

N

**Additional ordering information:** Commonly ordered models are shown above with complete model numbers and specifications. Below is an order format that enables you to 'build your own switch' and specify the correct switch model number by simply selecting from all available options shown and filling in the boxes.

## 'BUILD YOUR OWN SWITCH' ORDER FORMAT

Fill in boxes with selections shown for **Model Structure**, then add **Options** selections for complete model number. Allowable options are shown below each respective box.

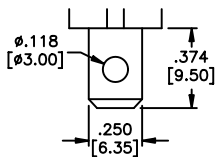
Example of completely specified model number:  
**B160R2NBB0BN**

|  |  |   |   |                                     |   |
|--|--|---|---|-------------------------------------|---|
| <b>Series</b>  | <b>Number of poles</b>                           | <b>Electrical functions</b>   | <b>Terminals</b>  | <b>Actuator type</b>                | <b>Actuator marking</b>                               |
| <input type="text" value="B"/>   | <input type="text" value="1"/>                   | <input type="text" value="1"/>  | <input type="text" value="0"/>  | <input type="text" value="R"/>      | <input type="text" value="1"/>                        |
|  | 1 Single pole                                    | 1 ON ON<br>3 ON OFF ON*<br>6 ON OFF<br>*-Not available with double pole             | Quick connect   | Rocker                              | 1 HI LO<br>2 No marking<br>3 ON OFF<br>4 O I<br>5 O — |
| <b>Illumination</b>  | <b>Case color</b>                                | <b>Actuator color</b>   | <b>Lamp position</b>  | <b>Terminal bending</b>             | <b>Case marking</b>                                   |
| <input type="text" value="N"/>   | <input type="text" value="A"/>                   | <input type="text" value="A"/>  | <input type="text" value="0"/>  | <input type="text" value="N"/>      | <input type="text" value="N"/>                        |
| N No illum.<br>L Illuminated<br>Note: illumination available only with Green, Orange or Red Actuator colors. | A Gray<br>B Black<br>C Brown<br>R Red<br>W White | A Gray<br>B Black<br>C Brown<br>G Green<br>O Orange<br>R Red<br>W White<br>Y Yellow | 0 No lamp<br>1 Solder to term. 1<br>2 Solder to term. 2<br>Note 1 & 2 have neon lamp. | N No bending<br>B Bend terms. 1 & 3 | N No marking<br>M "●" printing (consult factory)      |

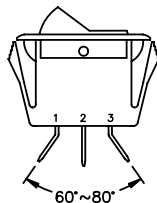
### QUICK-CONNECT TERMINAL

### TERMINAL BENDING

### PANEL CUT-OUTS



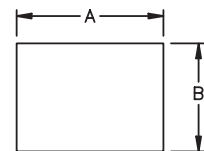
0



B

#### SINGLE POLE

| pn.l. tk'nness. | A +0, -.004 | B +0, -.004 |
|-----------------|-------------|-------------|
| .029-.049"      | 1.126"      | .535"       |
| .050-.078"      | 1.134"      | .535"       |
| .079-.118"      | 1.150"      | .535"       |



SPECIFICATIONS SUBJECT TO CHANGE WITHOUT NOTICE