

# 1600 and 1700 series

Toggle switches - metal lever

*Distinctive features and specifications*



- Reduced behind-panel space requirement (models with side terminals)
- Optional insulated lever

## ELECTRICAL SPECIFICATIONS

- Max. current/voltage rating with resistive load : 4A 30VDC
- Initial contact resistance : 10 mΩ max. at 1A 2VDC
- Insulation resistance : 1.000 MΩ min. at 500VDC
- Dielectric strength :
  - 2.000 Vrms 50 Hz min. between terminals
  - 2.000 Vrms 50 Hz min. between poles and between terminals and lever
- Electrical life : 10.000 cycles at full load

## MATERIALS

- Case : phenolic resin
- Actuator :
  - 1600 models : brass nickel plated
  - 1700 models : polyamide
- Bushing : brass, nickel plated
- Contacts : phosphor bronze and brass, silver plated.

## GENERAL SPECIFICATIONS

- Torque : 1,50 Nm (1.10 Ft.lb) max. applied to nut
- Panel thickness : 5 mm (.196) max.
- Operating temperature : -20°C to +55°C

## ABOUT THIS SERIES

**Dimensions** : first dimensions are in mm while inches are shown as bracketted numbers.



**Sealing boots** are available on models 1600 to protect the switches against dust and water. They are presented in section H.



**Mounting accessories** : standard hardware supplied with all models : 1 hex nut U42 and 1 knurled nut U411. They are presented in section I.

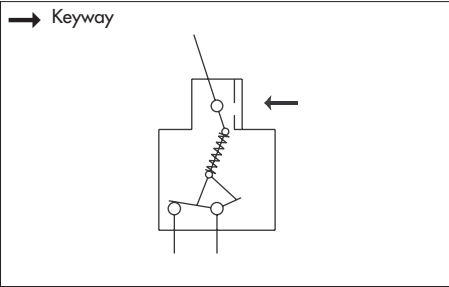


**Packaging unit** : 25 or 50 pieces depending on model.

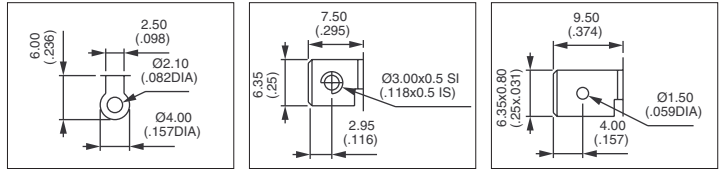
# 1600 and 1700 series

## Toggle switches - metal lever

Solder lug or screw terminals



- Wiping contacts
- Single pole configurations

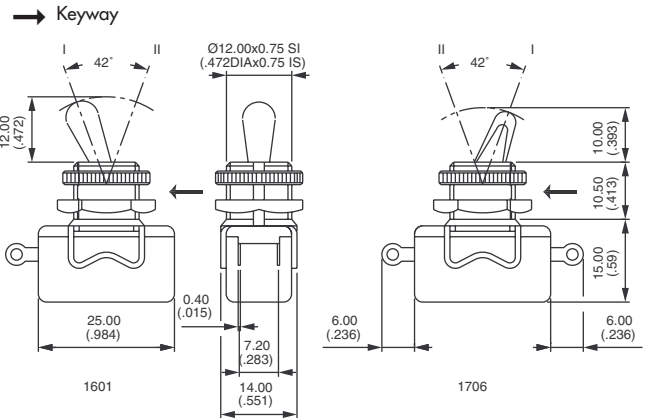


### Horizontal solder lug terminals



|             |                       |
|-------------|-----------------------|
| Metal lever | Insulated black lever |
| 1601        | 1701                  |
| 1606        | 1706                  |

|    |    |   |     |
|----|----|---|-----|
| I  | ON | - | OFF |
| II | ON | - | ON  |

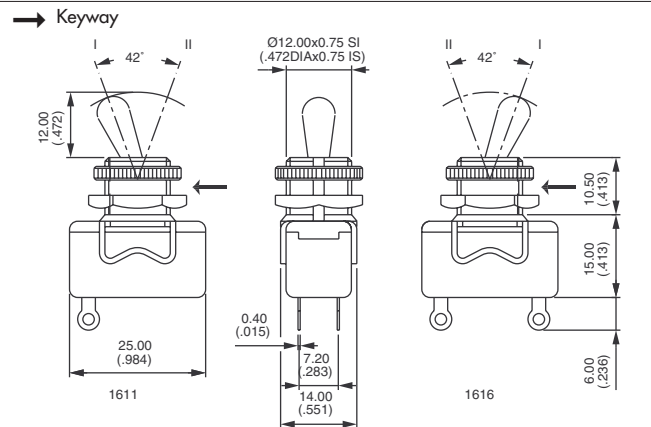


### Metal lever - vertical solder lug terminals



|      |      |
|------|------|
| 1611 | 1616 |
|------|------|

|    |    |   |     |
|----|----|---|-----|
| I  | ON | - | OFF |
| II | ON | - | ON  |

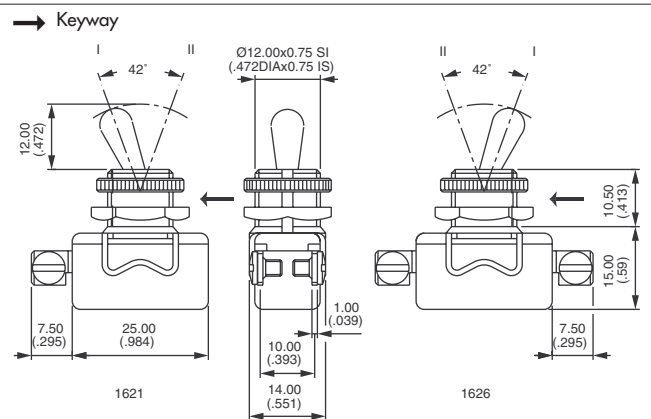


### Metal lever - horizontal screw terminals



|      |      |
|------|------|
| 1621 | 1626 |
|------|------|

|    |    |   |     |
|----|----|---|-----|
| I  | ON | - | OFF |
| II | ON | - | ON  |





# 1600 and 1700 series

Toggle switches - metal lever

Quick-connect terminals

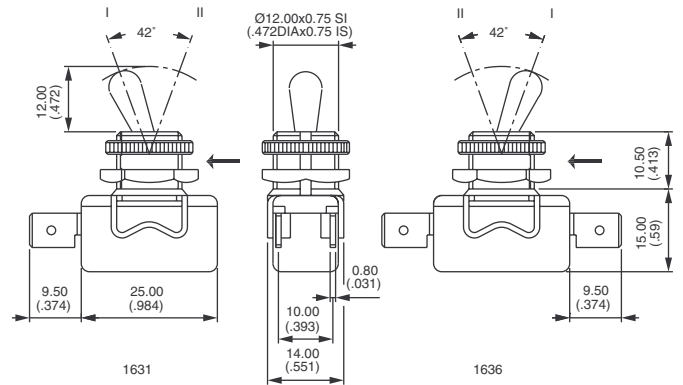
## Metal lever - horizontal quick-connect terminals



1631  
1636

I  
ON - OFF  
ON - ON

→ Keyway



## PANEL CUT-OUT

