

P200 series

Panel Mount Trackball



DISTINCTIVE FEATURES

2.00" diameter thermoset phenolic ball

Panel mount design

USB 2.0 protocol

Stainless steel shaft & bearings

Additional button strips available



ENVIRONMENTAL SPECIFICATIONS

- Operating Temperature: -15 °C to +70 °C (-5 °F to +158 °F)
- Storage Temperature: -32 °C to +75 °C (-25.6 °F to +167 °F)



ELECTRICAL SPECIFICATIONS

- USB: Input: 4.75 V - 5.25 V @ 25 mA max
- Output: USB 2.0



MECHANICAL SPECIFICATIONS

- Dimensions: 3.62" W x 3.62" D x 1.43" H
- Mechanical: 5,000,000 180° rotations with 6 ounces of vertical force
- Mounting position: 180° horizontal to 90° vertical
- Mass/Weight: 281 g (9.91 oz)
- Ball diameter: 2.00" (50.88 mm)
- Ball rotation: 360°
- Tracking force: 10 g (0.35 oz)



MATERIALS

- Housing: High impact ABS
- Ball (black): Thermoset phenolic resin
- Shafts: Polished stainless steel
- Bearings: Encased stainless steel

The company reserves the right to change specifications without notice.

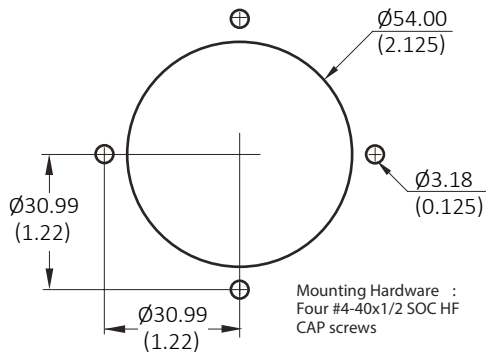
P200 series

Panel Mount Trackball



MOUNTING

- 180° horizontal to 90° vertical



CONFIGURATION OPTIONS

- Additional pushbutton switch: Two or three buttons
- Connector cables

P200 series

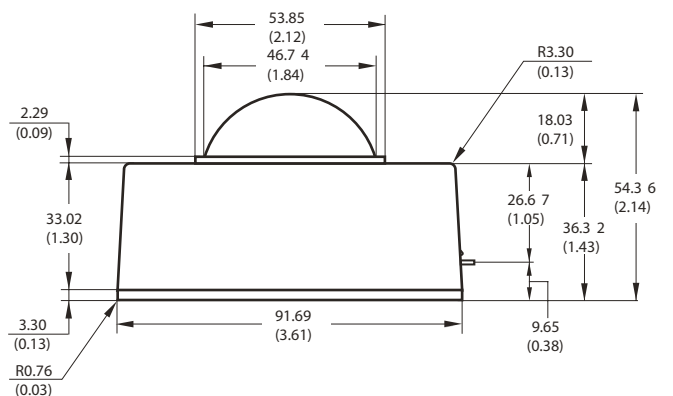
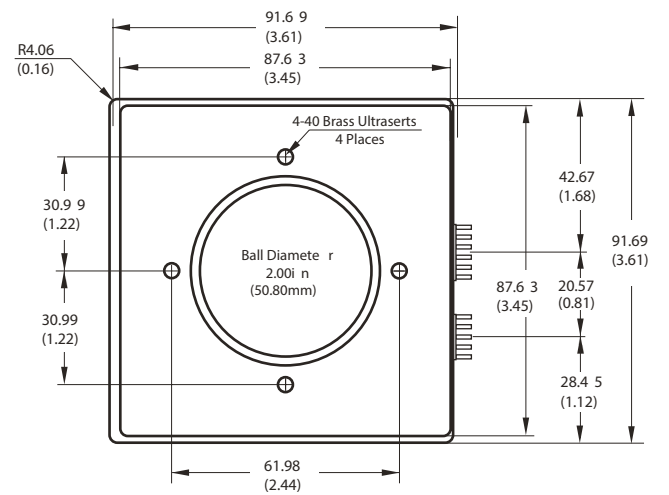
Panel Mount Trackball



BUILD YOUR PART NUMBER

SERIES	MODEL	PROTOCOL FORMAT	MOUNTING POSITION	RESOLUTION	POWER REQUIREMENT	BALL COLOR
P	200	7 USB 2.0	F Level to 45° N Level to 90°	10 120 DPI 20 240 DPI 30 480 DPI	V00	Blank Black

DIMENSIONS

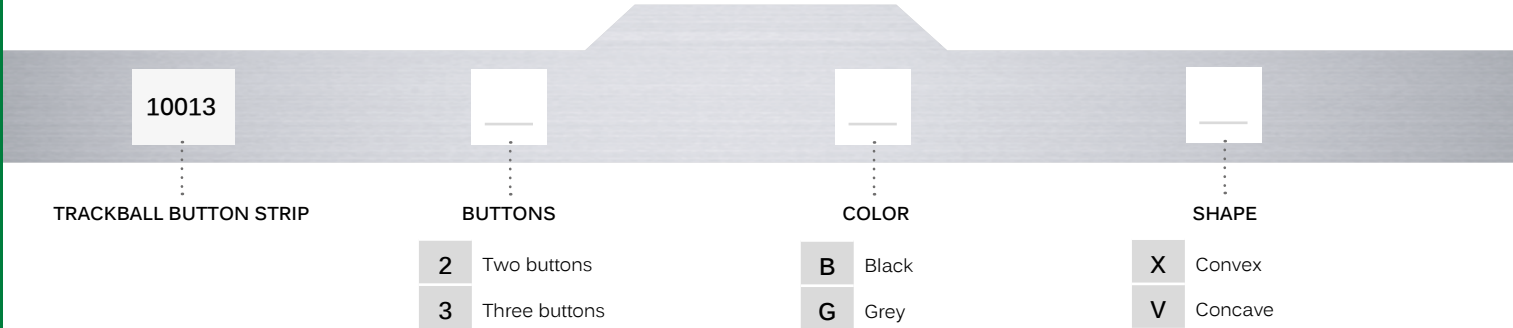


P200 series

Panel Mount Trackball • Button strip



BUTTON STRIP CONFIGURATION



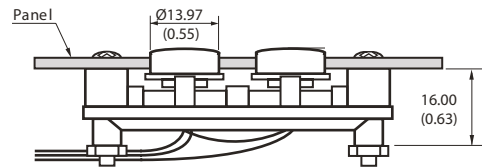
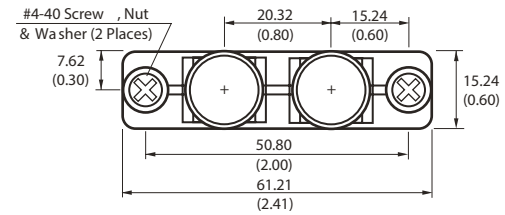
- Two or three buttons
- Tactile feedback
- Normally open momentary contact switch
- Black or grey buttons, choice of convex or concave

BUTTON STRIP - TWO BUTTONS



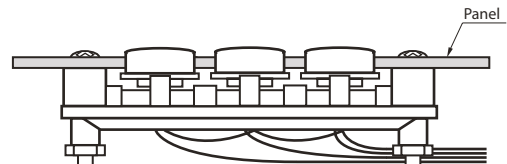
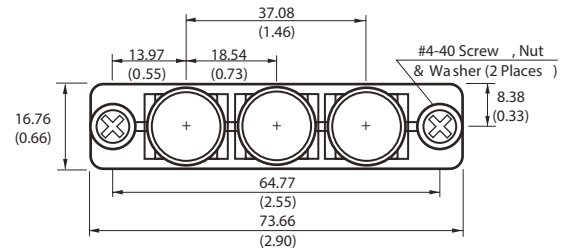
BUTTON SHAPE

- For Convex Buttons = 20.32/(0.80)
- For Concave Buttons = 19.30/(0.76)



White
Gray
Green (Common)

BUTTON STRIP - THREE BUTTONS



White
Gray
Black
Green (Common)

All dimensions are in mm /(inch).